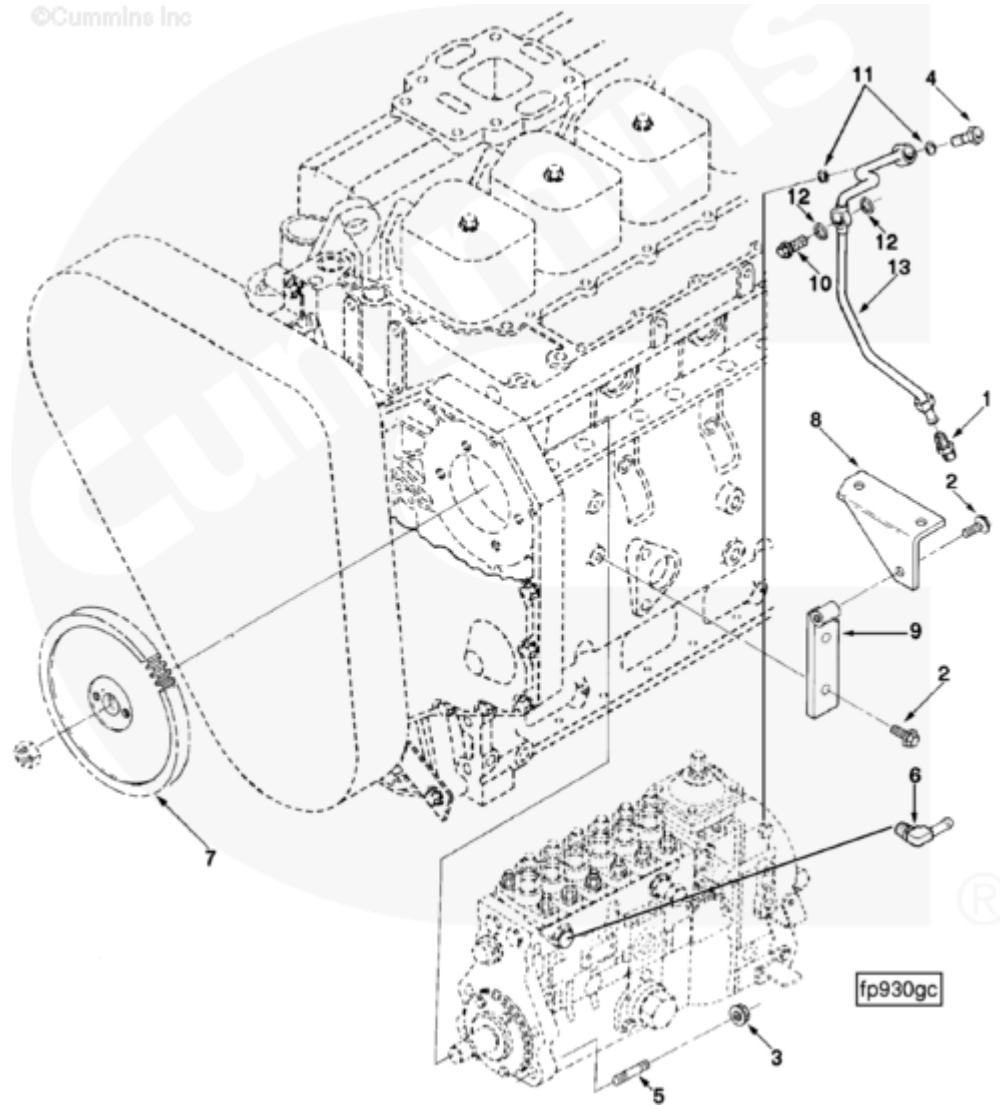




Parts Catalog - Option Detail

Electronic Parts Catalog - Option Detail				
Option	Group	Graphic	Film Card	Date
FP97228	09.01	fp930gc	T	22-DEC-94
Engines	4B3.9, 6A3.4, 6B5.9, B GAS INTERNATIONAL CM556, B4.5, B4.5 CM2350 B129B, B4.5 CM2350 B146C, B4.5 CM2350 B147B, B4.5 RGT, B4.5S, B5.9 G, B5.9 GAS PLUS CM556, B5.9 LPG, B5.9 LPG PLUS CM556, B6.7 CM2350 B121B, B6.7 CM2350 B135B, B6.7 CM2350 B136C, B6.7 CM2350 B148B, B6.7 G CMOH6.0 B125, B6.7N CM2380 B150B, B6.7S, F3.8 CM2350 F120B, F3.8 CM2350 F128C, F3.8 CM2350 F132B, F3.8 F102, G3.9, G5.9, G5.9 CM558, ISB (CHRYSLER), ISB CM2150, ISB CM2150 E, ISB CM550, ISB CM850, ISB/ISD4.5 CM2150 B119, ISB/ISD4.5 CM2150 SN, ISB/ISD6.7 CM2150 B120, ISB/ISD6.7 CM2150 SN, ISB/ISD6.7 CM2880 B126, ISB3.9 CM2220 B107, ISB4.5 CM2150, ISB5.9G CM2180, ISB6.7 2010 DCX PICKUP, ISB6.7 2013 DCX CHASSIS CAB, ISB6.7 CM2150 SQ, ISB6.7 CM2250, ISB6.7 CM2350 B101, ISB6.7 CM2350 B103, ISB6.7 CM2350 B142, ISB6.7 CM2670 B153B, ISB6.7 G CM2180 B118, ISBE CM2150, ISBE CM800, ISBE2/ISBE3 CM850, ISBE4 CM850, ISD4.5 CM2150, ISD6.7 CM2880 D101, ISF2.8 CM2220, ISF2.8 CM2220 AN, ISF2.8 CM2220 EC, ISF2.8 CM2220 ECF2, ISF2.8 CM2220 F101, ISF2.8 CM2220 F117, ISF2.8 CM2220 F122, ISF2.8 CM2220 F126, ISF2.8 CM2220 F129, ISF2.8 CM2220 IAN, ISF3.8 CM2220, ISF3.8 CM2220 AN, ISF3.8 CM2220 F103, ISF3.8 CM2220 F110, ISF3.8 CM2220 F116, ISF3.8 CM2220 F134B, ISF3.8 CM2220 IAN, ISF3.8 CM2350 F109, ISF4.5 CM2220 F123, ISG11 CM2880 G106, ISG11 CM2880 G108, ISG12 CM2880 G107, ISG12 CM2880 G109, ISG12 G CMOH6.0 G111, QSB3.9 30 CM550, QSB3.9 CM2880 B138, QSB4.5 30 CM550, QSB4.5 CM2150 B108, QSB4.5 CM2250 B131, QSB4.5 CM2250 EC, QSB4.5 CM2350 B106, QSB4.5 CM2350 B122			



SMALL | MEDIUM | LARGE

Cart	Ref No	Part Number	Part Description	Required	Remarks
<input type="button" value="View My Cart"/>					
		FP97228	Fuel Pump Coupling		Fuel Pump Coupling...(More)
					Engine Family: B
					Provision For Air Compressor:
					No
					Fuel Pump Supports Provided:
					Yes
					Boost Control Provision: Yes
					Engine Cylinders: 6
					Structure Code: 02 EBM
					Fuel Pump Mfg/Model:

					Nippondenso EP-9
					Aspiration: Jacket Water
					Aftercooled
					DEP may substitute 3282371 in
					place of 3907978.
<input type="checkbox"/>	1	S 1097	Male Connector	1	
<input type="checkbox"/>	2	3900630	Hexagon Flange Head Cap Screw	3	M8 X 1.25 X 20
<input type="checkbox"/>	3	3902662	Hexagon Flange Nut	4	M10 x 1.50
<input type="checkbox"/>	4	3905307	Banjo Connector Screw	1	M6 X 1.00 X 14.3
<input type="checkbox"/>	5	3907978	Stud	4	M10 x 1.50(Both Ends) x 50
<input type="checkbox"/>	6	3912664	Elbow Hose Coupling	1	1/4 NPTF
<input type="checkbox"/>	7	3914622	Fuel Pump Gear	1	
<input type="checkbox"/>	8	3914662	Fuel Pump Brace	1	
<input type="checkbox"/>	9	3914703	Fuel Pump Brace	1	
<input type="checkbox"/>	10	3918002	Banjo Connector Screw	2	M10 X 1.00 X 8.5
<input type="checkbox"/>	11	3918187	Sealing Washer	2	6MM
<input type="checkbox"/>	12	3918190	Sealing Washer	2	10mm.
<input type="checkbox"/>	13	3920880	Lubricating Oil Supply Tube	1	